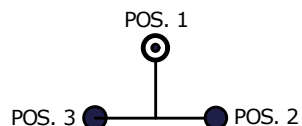


NOTES:

1. ALL DIMENSIONS IN MM [INCH]
2. GENERAL TOLERANCE: X.X = ±0.4
X.XX = ±0.25
3. TERM. NOS. FOR REF. ONLY
4. CONTACT RATING: 4A @125VAC/28VDC, 2A @250VAC
5. DIELECTRIC STRENGTH: 1KV RMS min.
6. HOUSING MATERIAL: ZINC ALLOY DIE CAST
7. ▲ DENOTES CRITICAL PARAMETER
- ▲ 8. KEYCODE: R57000

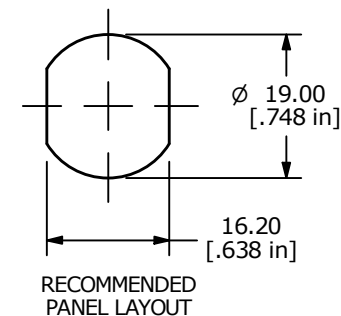


CIRCUIT: SP (90° INDEXING)
CONTACT CONFIGURATION

SWITCH FUNCTION		
CONNECTED TERMINAL #		
POS. 1	POS. 2	POS. 3
7-1	1-3	6-7

LEGEND

- = DETENT POSITIONS
- ⊙ = KEY PULL POSITION



B	24536	updated terminals	10/15/20	MW
A	24475	RELEASED	9/11/20	MW
REV	PCR NO	DESCRIPTION	DATE	BY

TITLE KO130Z2R5700				
SCALE	DATE	DR	DWG	REV
1:1	9/11/2020	MW	K200321	B